



BRADNAM'S

# SLIDING WINDOWS

Elegantly simple, classic design

 **Bradnam's**  
windows & doors

## Sliding Window Range

Are you looking for the ideal windows for your home? Designed to meet all the requirements of the modern home, including security, strength, reliability and expansive views, our **sliding window** range is a contemporary take on a traditional favourite – one that's sure to suit your home.

### Essential Sliding Windows

If you want maximised views and a sensible but aesthetic take on a popular window design, you'll love our 'Essential' sliding windows. Secure, easy-to-operate and easy on the eyes, Essential sliding windows may be our standard sliding window product, but they're still packed full of features and benefits that are anything but standard.

### Signature Sliding Windows

Smooth-gliding, easy-cleaning and secure, our 'Signature' sliding windows are stylish and contemporary. With superior mortice locks and vent-locking for secure ventilation, they're safe and practical. Available in large-size options, they can be installed in a range of spaces and configurations, including as indoor-outdoor servery windows, making them an ideal lifestyle window for any home.

## Performance Parameters

	Essential	Signature
Frame sizes	52mm	67mm / 100mm
Maximum window height	1500mm*	2000mm*
Maximum window width	3010mm	5400mm
Maximum panel width	1500mm	1350mm
Maximum panel weight	24kg	100kg
Maximum water rating	600Pa	600Pa
Maximum wind rating	4500Pa ULS	6000Pa ULS
Maximum glass thickness (single glazed)	6.76mm	12.76mm
Maximum glass thickness (double glazed)	N/A	20mm
Maximum acoustic rating	Rw29	Rw35
Maximum bushfire rating	BAL 40	BAL 40
Lowest U-value (single glazed)	4.6	4.7
Lowest U-value (double glazed)	N/A	3.2

\* Without low lites

# Features & Benefits

Essential . Signature

## Lifestyle & Comfort

- Secure ventilation with keyed vent locks so your windows can be locked slightly open
- Easy-clean design with wide window tracks that fit most vacuum heads

## Optional

- Locking handles for enhanced security
- Security and insect screens for protection against bugs and human intruders are easily installed

## Design & Aesthetic

- Aesthetic symmetry with other Bradnam's windows and doors for stylish house facades
- Concealed fixings for a sleek, modern appearance

## Performance & Reliability

- Effortless operation with our high performance rollers
- Thermal and acoustic insulation with various glazing options
- Year-round weather proofing with high quality window seals

## + Premium Features

### Signature Only

- Flexible entertaining solutions with configurations designed to be used in an indoor/outdoor servery
- Precision engineered Euro track roller system ensures a smooth sliding action
- Long-lasting santoprene seals provide superior protection against harsh Australian weather conditions
- Mortice locks fitted in stylish handles for superior security
- Superior strength and integrity with 100mm aluminium frame width



# Smart Solutions

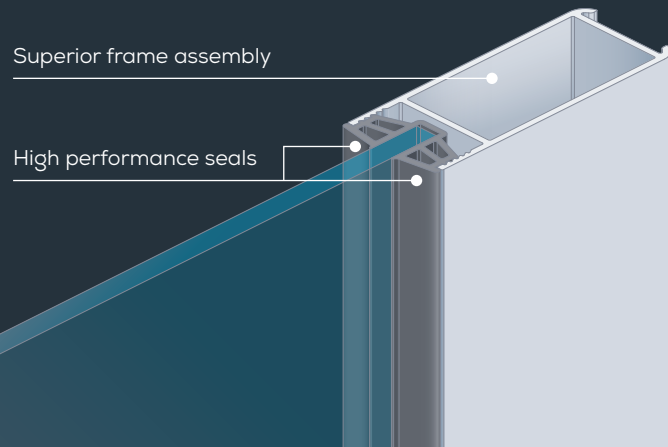
High Performance Windows and Doors

Building in today's environment demands the need to satisfy energy, acoustics, security and bushfire requirements. Bradnam's **Smart Solutions** range is designed to augment all Essential and Signature products to satisfy these needs.

## Some of the possible benefits

- Cooler in Summer
- Warmer in Winter
- Enhanced UV protection
- Minimise noise outside
- Save on energy bills
- Added security

Performance comes from **more** than just glass



Essential . Signature



As the market leader in Australia for aluminium and glass building products, Bradnam's have developed its range of **Smart Solutions** to meet all high performance requirements.

## + Premium Smart Solution

### Double Glazed\*

#### Year-round Comfort

- Acts as extra insulation by limiting the flow of hot or cold air in and out of your home
- Helps maintain comfortable temperatures inside across all seasons

#### Energy Reduction

- Reduce reliance on air conditioning and heaters – lowering electricity bills
- Consume less energy for a smaller carbon footprint

#### Noise Reduction

- Minimise outside noise – creating a quiet haven inside your home

#### Safety

- Extra strong resistance to unwanted attacks by intruders

\* Not available in Essential

## Climate Control Solutions

### Solar Comfort™

#### Year-round Comfort

- Designed to reflect heat away in summer and keep heat inside during winter
- Enjoy the ideal temperature in your home all year round – cooler in summer, warmer in winter

#### Energy Reduction

- Keep power bills down by reducing the need for additional heating and cooling
- Help save the environment by consuming less energy

### Solar Block™

#### Cooler in Summer

- Minimise the flow of heat into your home – enjoy summer without feeling the heat
- Acts like a pair of sunglasses for your home, reducing glare by up to 78%

#### Energy Reduction

- Save on electricity bills by reducing the need for air conditioners
- Minimise your carbon footprint by consuming less energy

## Specialty Solutions

### Safety\*

#### Safety

- Effective, affordable barrier against forced entry
- Enjoy peace of mind knowing that your home has extra protection

### Sound Smart™

#### Noise Reduction

- Reduce unwanted external noise – nearby traffic or noisy neighbours,

### FlameShield™

#### Superior Bushfire Protection

- Meets Australian Standard AS3959:2009, which is aimed to reduce the risk of loss of life and property in bushfire prone areas

# SLIDING WINDOWS

Essential . Signature



# Hardware

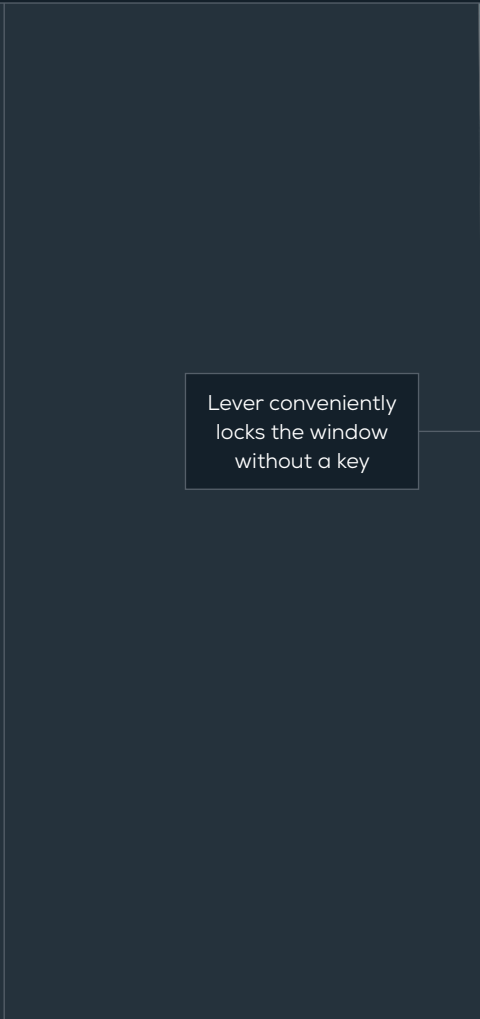
The hardware displayed on this page are a guide only. Bradnam's recommend the viewing of an actual hardware product prior to order.

Black Matt	Black Gloss	White	Ultra Silver	Designer Silver	Stainless Steel Finish
------------	-------------	-------	--------------	-----------------	------------------------

ESSENTIAL	•	•	•	•	•
SIGNATURE		•	•	•	•

## ESSENTIAL

## SIGNATURE



Lever conveniently locks the window without a key



Mortise lock for improved security





For more information call Bradnam's on  
**1300 WINDOWS** 1300 946369  
 or visit [bradnams.com.au](http://bradnams.com.au)

WINDOWS & DOORS

INSECT & SAFETY SCREENS

SHOWER SCREENS

MIRRORS & WARDROBES

SPLASHBACKS & SHELVING



**Australian**  
 Owned & Made

Bradnam's products are proudly made in Australia and designed specifically to meet all Australian conditions

Note: Products may be subject to local variation, regulatory requirements and confirmation of structural performance



**Bradnam's**  
 windows & doors

McLachlan Homes

Bradnam's Windows and Doors . QBCC Act lic 58885  
 © Bradnam's Windows and Doors Aug 2016